

Shade Tree 20'x40' PE Party/Event Tent

Instruction Manual

Fig 1

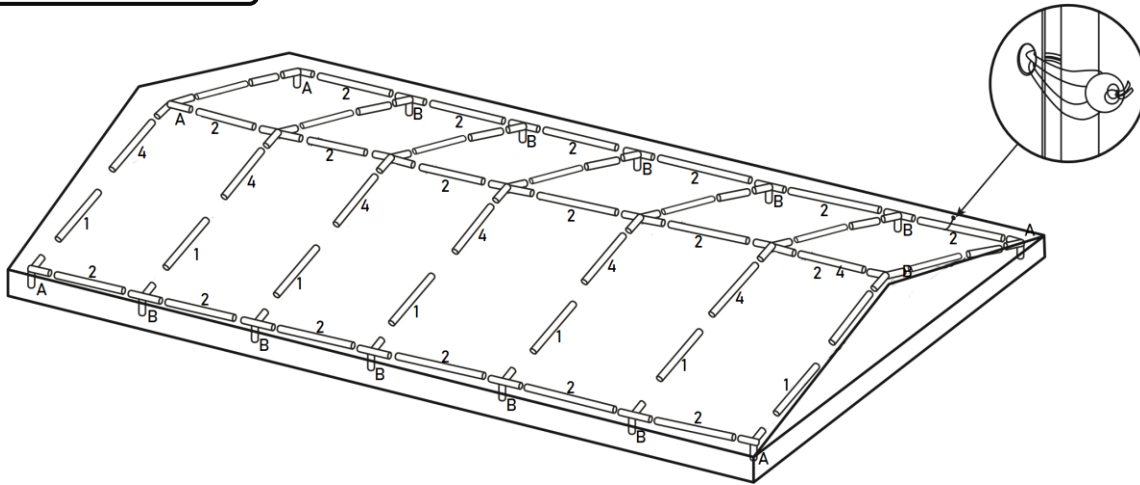


Fig 2

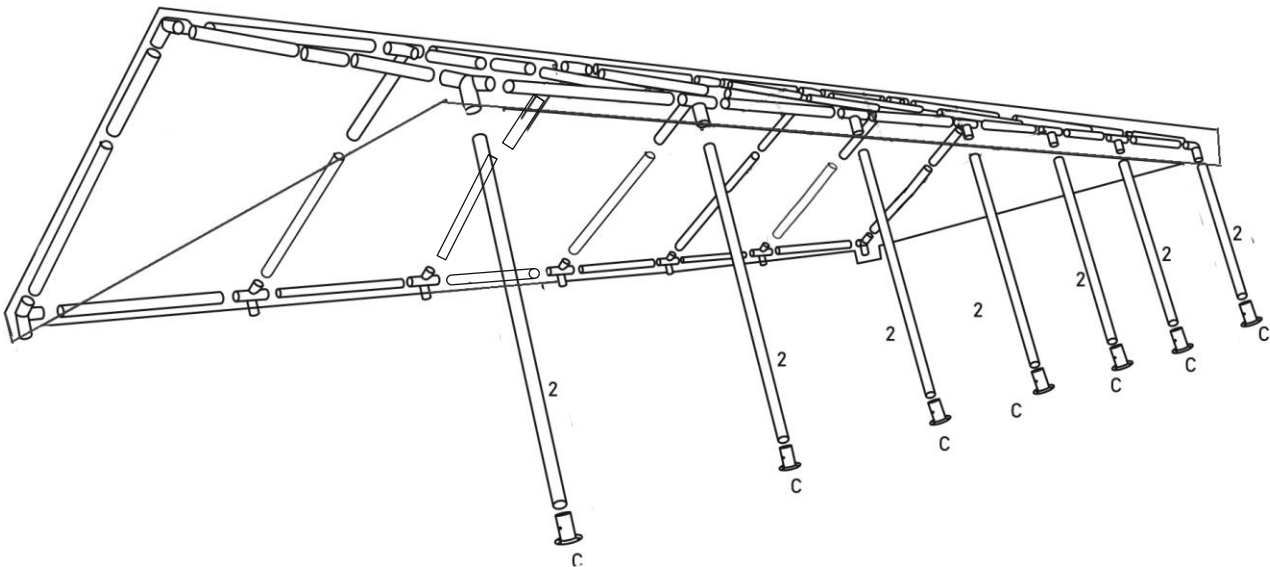


Fig 3

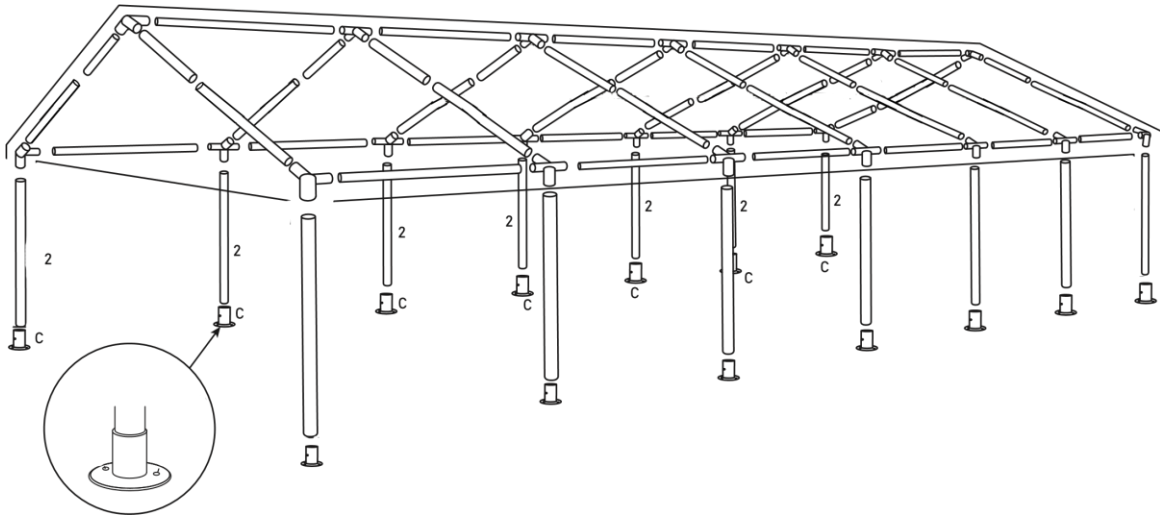


Fig 4

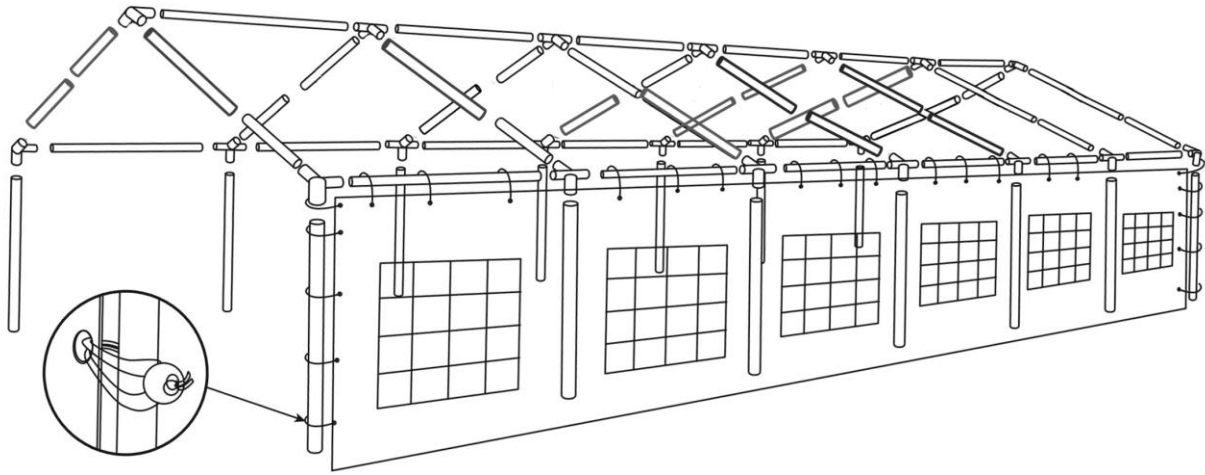


Fig 5

REF	NAME	DIAGRAM	SPECIFICATION	QUANTITY
1	Non Beveled Pole		64" NB Pole	14 PCS
2	74 in Pole		76" Pole	32 PCS
4	Beveled Pole		64" B Pole	14 PCS
A	Connector		3-WAY	6 PCS
B	Connector		4-WAY	15 PCS
C	Foot Plate		Foot Plate	14 PCS
	Bungee balls		Bungee ball	120 PCS

Shade Tree 20'x40' Assembly Instructions

1. Completely unpack tent from all of the boxes and inspect all pieces. Compare to parts list shown on Page 2.
2. Recommended to have 8-10 people to assemble tent to avoid damage.
3. Sort the poles by the number listed on them; All of the poles are numbered 1,2 and 4.
Assembly of roof structure: See Fig. 1
 1. Slide #1 and #4 poles together; #4 poles are beveled on one end; this beveled end should slide into the #1 pole.
 2. Start at one end of the tent, attach 2 of the #1/#4 assemblies in the center with a pole connector labeled "A" (Shown in photo below & on separate illustration sheet.) The pole assemblies should be directly across from each other.
 3. Insert #2 pole into the same pole connector from step #2. (#2 pole should be perpendicular to the other poles previously connected.)
 4. Insert other end of #2 pole in step #3 into pole connector labeled "B" (Shown in photo below & Fig 1).
 5. Insert a #1/#4 assembly on each side of the pole connector from above. (The pole assemblies should be directly across from each other.)
 6. Repeat Steps 3, 4, and 5 for remaining #1/#4 assemblies.
 7. Once you reach the other end of the tent structure, you will need to use a pole connector labeled "A" to insert the #2 pole and the #1/#4 pole assemblies.(Shown in photo below & Fig 1)
 8. On the opposite end of the #1/#4 pole assemblies insert assembly into a pole connector labeled "A" on the corners and labeled "B" on all assemblies in the middle. Make sure that the hole in the longer end of the connector is pointed downward for connection to the leg pole.
 9. Insert an #2 pole in between all pole connectors installed on step #8.
 10. Unfold Canopy and put over roof frame structure. Attach bungee balls to secure the canopy to the frame.
 11. Install foot plate onto #2 pole at the end with a hole through it. (Shown in Fig 2)
 12. Place leg pole assembly at each pole connector on roof structure. (Shown in Fig 2)
 13. With a person at each pole connector on one side of the roof structure lift the roof structure and insert #2 pole into the pole connector. Allow structure to be supported by the leg poles. (Shown in Fig 2)
 14. Have each person from step #13 move to the opposite side of the roof structure and repeat step #13.
 15. Have several people hold tent securely to the ground and **IMMEDIATELY APPLY ANCHORS SYSTEM TO THE TENT TO AVOID DAMAGE!** (Anchor System Not Included in Purchase).
 16. Install sidewalls utilizing bungees that secure canopy. Use additional bungees to secure remaining open grommets to the leg poles.(Shown in Fig 5)

Picture of A



Picture of B

