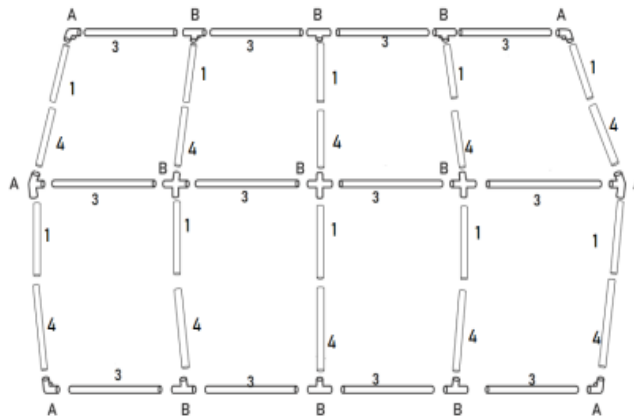


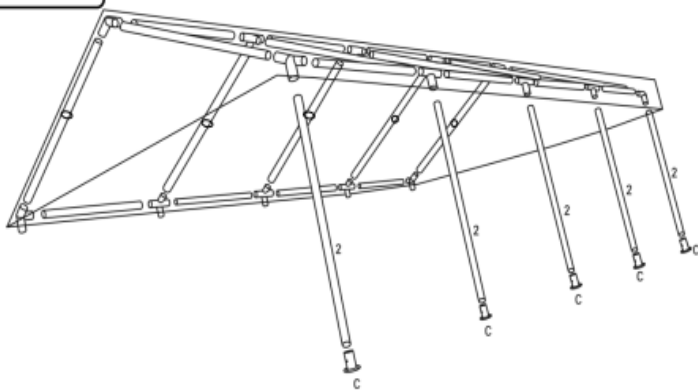
**Shade Tree 20'x30' PE Party/Event Tent**

**Instruction Manual**

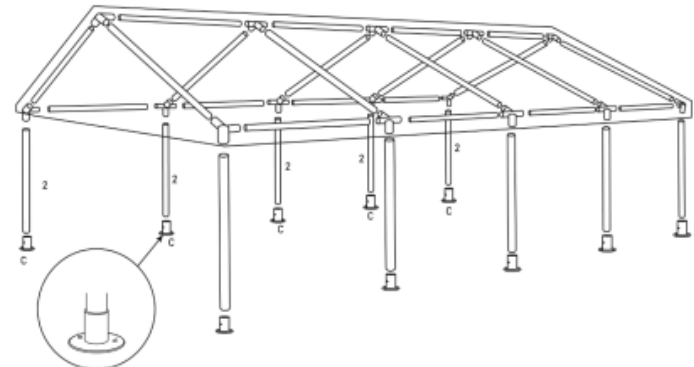
**Fig 1**



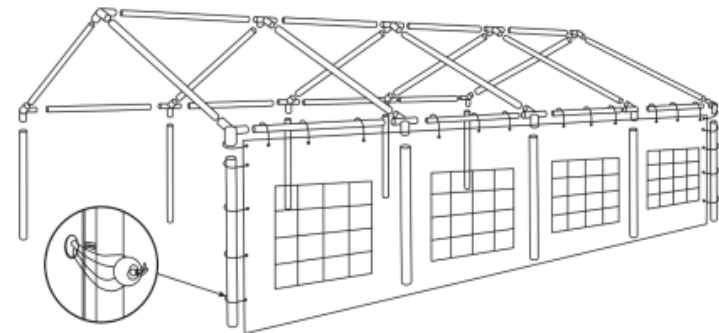
**Fig 2**











**Fig 3**



**Fig 4**



**Fig 5**

REF	NAME	DIAGRAM	SPECIFICATION	QUANTITY
1	None Beveled Pole		64" NB Pole	10 PCS
2	Leg Pole		76" Leg Pole	10 PCS
3	Roof Pole		84" Roof Pole	12 PCS
4	Beveled Pole		64" B Pole	10 PCS
A	Connector		3-WAY	6 PCS
B	Connector		4-WAY	9 PCS
C	Foot Plate		Foot Plate	10 PCS
	Bungee balls		Bungee ball	100 PCS

## Shade Tree 20'x30' Assembly Instructions

1. Completely unpack tent from all the boxes and inspect all pieces. Compare to parts list shown on Page 2.
2. Recommended to have 8-10 people to assemble tent to avoid damage.

3. Sort the poles by the number listed on them; All the poles are numbered 1-4, poles are 64 inches, 76 inches & 84 inches.

Assembly of roof structure: See Fig. 1

1. Slide #1 and #4 poles together; #4 poles are beveled on one end; this beveled end should slide into the #1 pole.
2. Start at one end of the tent, attach 2 of the #1/#4 assemblies in the center with a pole connector labeled "A" (Shown in photo below & Fig 1). The pole assemblies should be directly across from each other.
3. Insert #3 (84") pole into the same pole connector from step #2. (#3 pole should be perpendicular to the other poles previously connected).
4. Insert end of #3 pole in step #3 into pole connector labeled "B" (Shown in photo below & Fig 1).
5. Insert the #1/#4 assembly on each side of the pole connector from above. (The pole assemblies should be directly across from each other).
6. Repeat Steps 3, 4, and 5 for remaining #1/#4 assemblies.
7. Once you reach the other end of the tent structure, you will need to use a pole connector labeled "A" to insert the #3 pole and the #1/#4 pole assemblies. (Shown in photo below & Fig 1).
8. On the opposite end of the #1/#4 pole assemblies insert assembly into a pole connector labeled „A on the corners and labeled "B" on all assemblies in the middle. Make sure that the hole in the longer end of the connector is pointed downward for connection to the leg pole.
9. Insert an #3 pole in between all pole connectors installed on step #8.
10. Unfold Canopy and put over roof frame structure. Attach bungee balls to secure the canopy to the frame.
11. Install foot plate onto #2 pole at the end with a hole through it. (Shown in Fig 2)
12. Place a leg pole assembly at each pole connector on roof structure.
13. With a person at each pole connector on one side of the roof structure lift the roof structure and insert #3 pole into the pole connector. Allow structure to be supported by the leg poles. (Shown in Fig 2)
14. Have each person from step #13 move to the opposite side of the roof structure and repeat step #13.
15. Have several people hold tent securely to the ground and **IMMEDIATELY APPLY ANCHORING SYSTEM TO THE TENT TO AVOID DAMAGE!** (Not Included in Purchase of Tent).
16. Install sidewalls utilizing bungees that secure canopy. Use additional bungees to secure remaining open grommets to the leg poles.

Picture of A



Picture of B

